

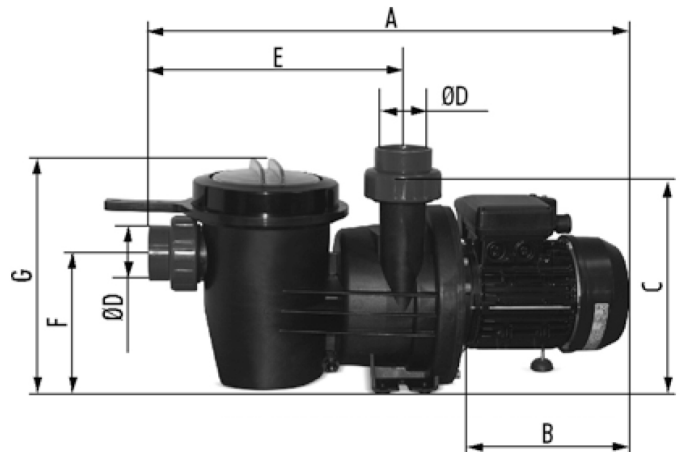
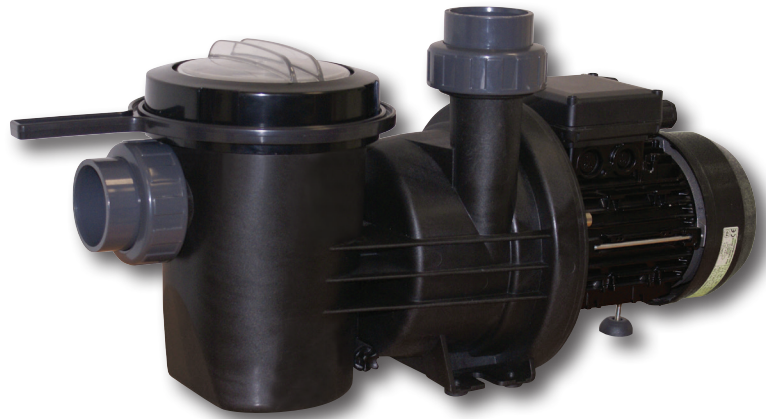
# Swimflo Plus Pump

## FEATURES

- High hydraulic efficiency
- Noryl impeller
- Motor IP 55 – Class F – continuous rating
- Stainless steel shaft

Swimflo Plus self-priming centrifugal pumps are designed for swimming pool filtration and are available in sizes from 0.5HP up to 3HP with options of both single and three phase. Swimflo Plus pumps have a one-piece body made from a durable resistant composite material and are suitable for both chlorinated and salt chlorinated swimming pools. Their compact, innovative design includes a patented strainer basket with a fast opening translucent lid.

# PLUS SWIMFLO



## Dimensions & Flow Rates

Type	HP	Dimensions (mm)									D		Weight (kg)	Head m <sup>3</sup> /hr										
		A	B	C	E	F	G	H	I	Metric (mm)	Imperial (inch)	V		4	6	8	10	11	12	14	15	16	18	
HGS051SM	0.5	550	279	280	280	175	290	248	150	50	1.5	13.8	230	17	15	11.5	8	4	-	-	-	-	-	
HGS071SM	0.75	550	279	280	280	175	290	248	150	50	1.5	13.8	230	21	19	15	11	8.5	6	-	-	-	-	
HGS073SM	0.75	550	279	280	280	175	290	248	150	50	1.5	13.8	230/400	21	19	15	11	8.5	6	-	-	-	-	
HGS101SM	1	550	279	280	280	175	290	248	150	50	1.5	13.8	230	27	24	20	16.5	14	11	-	-	-	-	
HGS103SM	1	550	279	280	280	175	290	248	150	50	1.5	13.8	230/400	27	24	20	16.5	14	11	-	-	-	-	
HGS151SM	1.5	580	279	280	280	175	290	248	150	63	2	13.8	230	32	29	23.5	21.5	20	14.5	11	7	-	-	
HGS153SM	1.5	580	279	280	280	175	290	248	150	63	2	13.8	230/400	32	29	23.5	21.5	20	14.5	11	7	-	-	
HGS201SM	2	580	279	280	280	175	290	248	150	63	2	15	230	32	32	29	27	25	23	19	16	12	-	
HGS203SM	2	580	279	280	280	175	290	248	150	63	2	15	230/400	32	32	29	27	25	23	19	16	12	-	
HGS251SM	2.5	580	279	280	280	175	290	248	150	63	2	21	230	-	36	33	29.5	28	26	21	19	16	4.5	
HGS301SM	3	662	279	280	280	175	290	248	150	63	2	24	230	-	39	36.5	33	31	30	25	22	19	8.7	
HGS303SM	3	580	310	280	280	175	290	248	150	63	2	19	230/400	-	39	36.5	33	31	30	25	22	19	8.7	

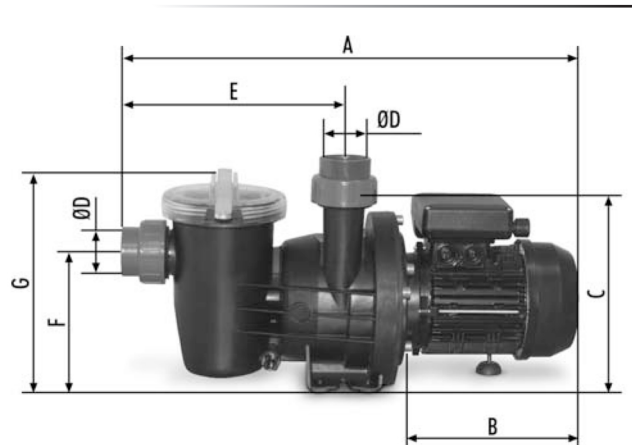
# SWIMFLO

## Swimflo Pump

### FEATURES

- Noryl impeller
- Motor IP 55 – Class F – continuous rating
- Stainless steel shaft

Swimflo pumps are self-priming and designed for domestic swimming pool filtration. This pump is available in sizes from 0.3HP to 1.5HP in single phase only. Swimflo pumps have a one-piece body made from a durable resistant composite material and are suitable for both chlorinated and salt chlorinated pools.



### Dimensions

Type	HP	Dimensions (mm)								D		Weight (kg)
		A	B	C	E	F	G	H	I	Metric (mm)	Imperial (inch)	
HPS031M	0.3	495	265	240	230	145	250	210	130	50	1.5	9.5
HPS051M	0.5	495	265	240	230	145	250	210	130	50	1.5	9.5
HPS071M	0.75	495	265	240	230	145	250	210	130	50	1.5	9.5
HPS101M	1	495	265	240	230	145	250	210	130	50	1.5	9.5
HPS151M	1.5	495	265	240	230	145	250	210	130	50	1.5	9.5

### Flow Rates

Code	HP	Head m <sup>3</sup> /hr								
		V	4	6	8	10	11	12	14	16
HPS031M	0.3	230	12.5	9.5	6.3	3	-	-	-	-
HPS051M	0.5	230	14	12	9	5	3	-	-	-
HPS071M	0.75	230	18	15	13	10	8	6	-	-
HPS101M	1	230	21	18.7	16.6	13.5	12	10.5	6	-
HPS151M	1.5	230	23	21	18.8	16	14.8	13	9.2	3