

BLUETOOTH ENABLED

SILENSOR[®] PRO
by DAVEY

Premium VSD400

ADVANCED
POOL PUMP
NOW WITH BLUETOOTH[®]

APPLICATION

Ideal for pool filtration, in-floor pool cleaning systems, connection to external pool controllers, heat pumps and gas heaters.



RJ45



smartphone control via Davey Pool Pump app



residential



pool pump

HIGH EFFICIENCY, SUPER QUIET, WATER COOLED DESIGN

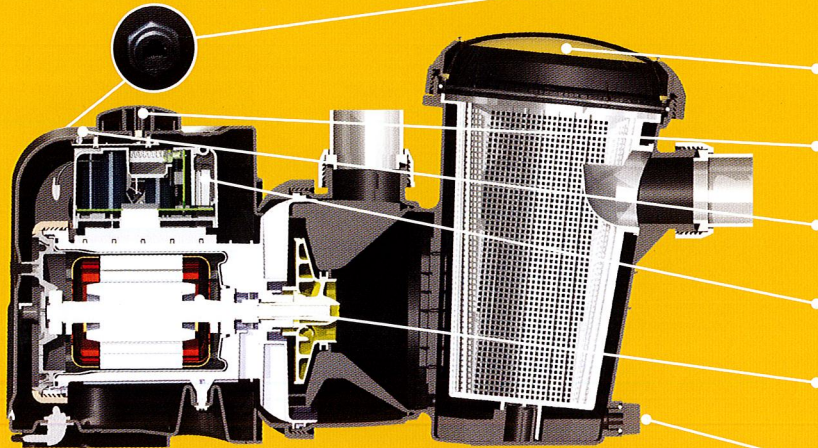
- > **Bluetooth enabled** – To allow set and control filtration and speed cycles from your iOS or Android smartphone
- > **Ability to cap peak flow, priming and backwash speeds** – Ideal for retrofit installations with sand filters
- > **Super quiet** – Designed with a unique water cooled motor which captures noise and vibrations, allowing super quiet operation, rated down to 50dBa. Your neighbours won't even know it's there
- > **Constant flow/speed compensation**
 - Helps to overcome friction losses experienced as debris builds up in your filter
 - Saves money on energy running costs
- > **Weatherproof RJ45 communication port** – Speed adjustment by external pool controller, pool cover or heat pump
- > **Backwash speed cycling technology** – For effective media cleaning and reducing waste water when backwashing
- > **Loss of prime protection** – Minimises damage if the pump runs dry
- > **Convenient** – Extra-large 4.5 litre leaf basket – less cleaning required



Depend on Davey

DAVEY

SilensorPro Bluetooth® Premium VSD400 Pool Pump



Bluetooth smartphone control via iOS or Android app

Weatherproof RJ45 communication port for communication & connecting to external pool control systems or pool heaters

Extra-large 4.5 litre lint pot provides longer intervals between cleaning

Fully variable frequency drive with user friendly selectable speed dial

Multi-coloured LED indicator light for operating conditions and warnings

Loss of prime protection to protect the pump when there is no water inside the pump

High performance water cooled motor for super quiet, efficient use all year round

Drain plug enables quick draining of the casing for easy removal and maintenance

Made in Australia • CE

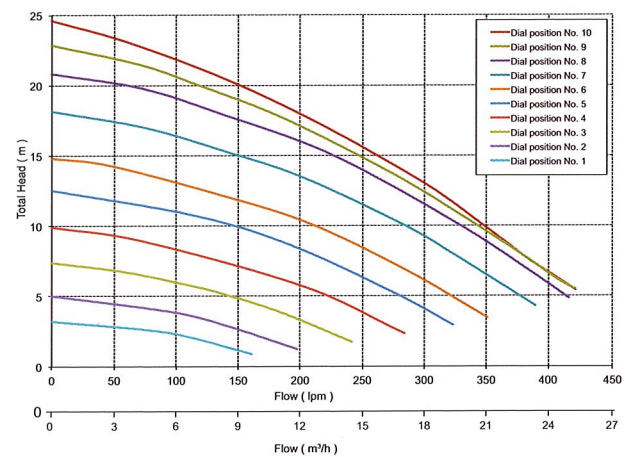
ELECTRICAL DATA

Voltage (V)	240
Supply frequency (Hz)	50/60
Motor input power (W/hp)	120W/0.16hp @ Dial 1 660W/0.85hp @ Dial 5 1,630W/2.2hp @ Dial 10
Motor speed (rpm)	1,050 to 3,100
Backwash (rpm)	Variable speed
Enclosure class (IP)	45
Insulation class	F
Power lead length	3m
Approval No.	SGS-180275-EA

OPERATING LIMITS

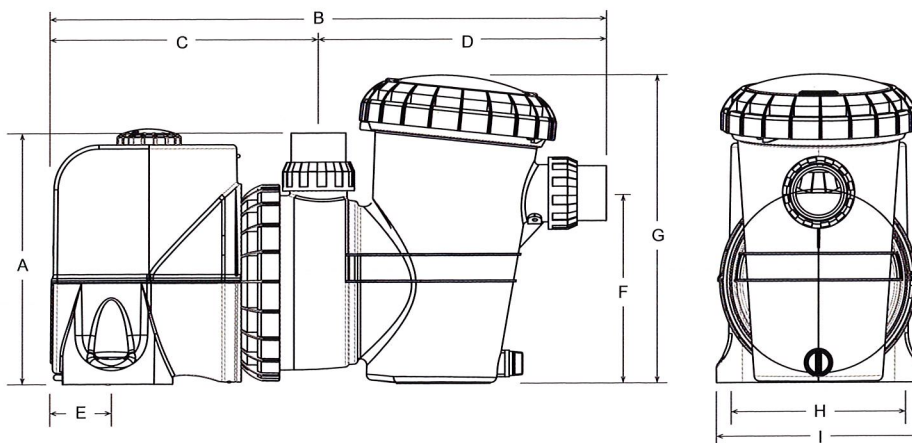
Max. water temperature	Max. ambient temperature
40°C	50°C

HYDRAULIC PERFORMANCE



DIMENSIONS (mm)

Model	A	B	C	D	E	F	G	H	I	Mounting Holes Diameter	Inlet/Outlet PVC	Net Weight (kg)
SP400BT	305	670	320	350	65	230	380	200	250	10	63	14.5



daveyeurope.eu | info@daveyeurope.eu

This literature is not a complete guide to product usage. Further information is available from your Davey Dealer, Davey Support Centre and from the relevant product Installation and Operating Instructions. Must be read in conjunction with the relevant product Installation and Operating Instructions and all applicable statutory requirements. Product specifications may change without notice. © Davey is a registered trademark of Davey Water Products Pty Ltd. © Davey Water Products Pty Ltd 2018.

DAVEY

Depend on Davey